

COLUMN ETOILE 125

4ETB3N0: ETOILE BASE
4ETB4N0: ETOILE PLUS

TECHNICAL DATA SHEET



LEGEND:

- A - Hot water connection 1/2 "F. *
- B - Cold water connection 1/2 "F. *

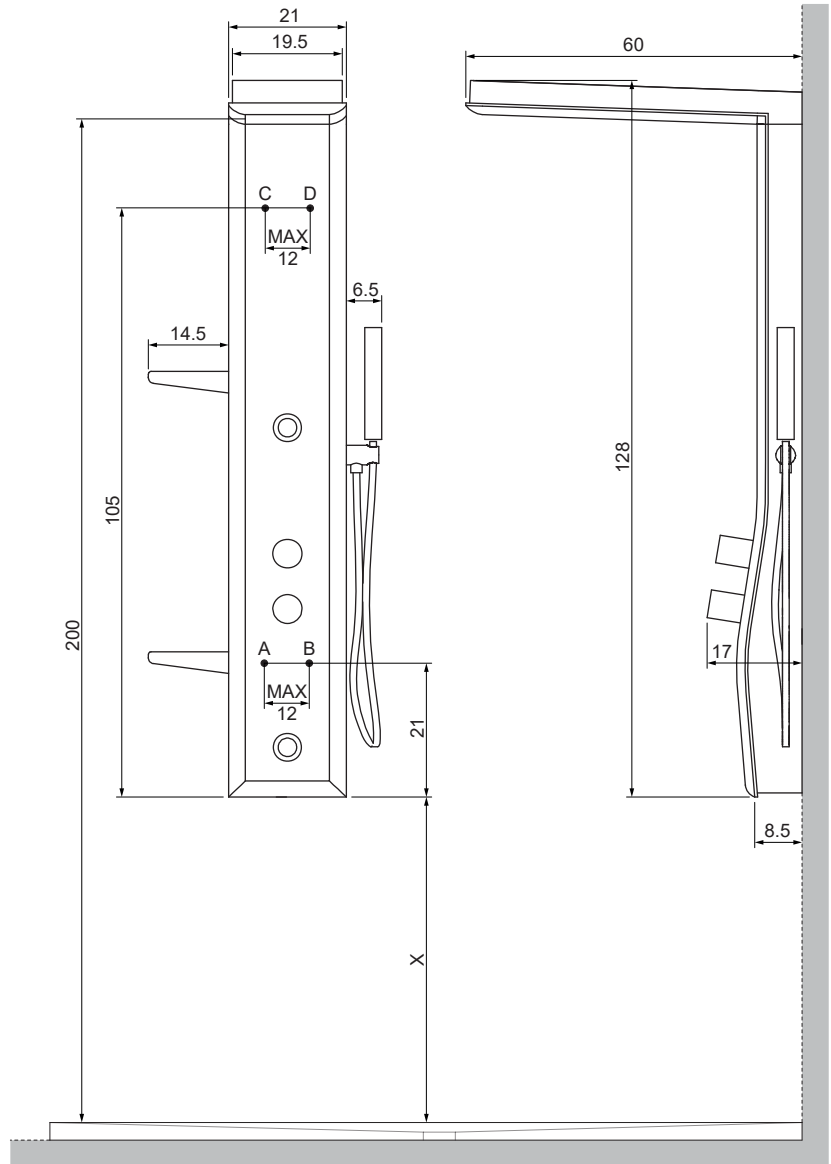
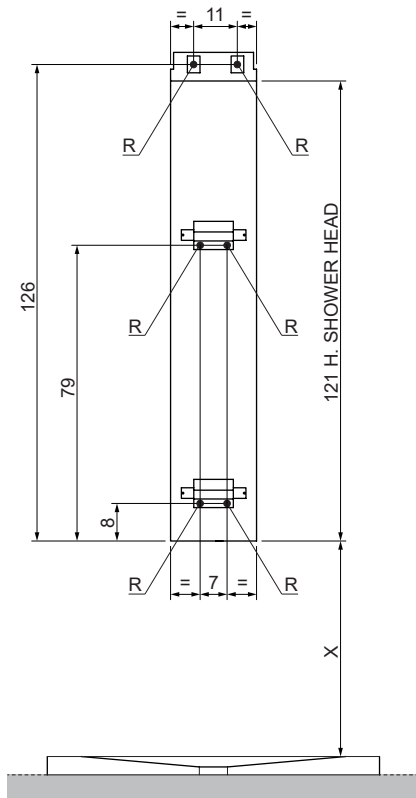
Operating pressure:

- MIN 150 kPa (1,5 bar)
- MAX 300 kPa (3,0 bar)

Hot water temperature:

- MAX 60°C (140°F)

- C - Equipotential output.
- D - Power cable outlet Ø 25 mm (12 Vac - 20 V.A.)
ONLY FOR PLUS MODEL
- X - Height from shower tray
(to be calculated based on the height of the user)
- R - Column fixing holes



CAUTION: The transformer used **MUST** be SELV-equivalent, with relative double insulation and maximum secondary voltage of 12 Vac. Do not use electronic transformers. The transformer must not be placed inside the column or shower. The product must be connected to the building's equipotential system in compliance with applicable regulations in the country of use. If the water pressure is higher than indicated, install pressure reducers.

* The height from the ground for connection to hot and cold water vary according to the height from the shower tray.

INSTALLATION: Installation must take place when the floor and walls have been finished and the shower tray has been installed. Make sure that the pipes do not pass where fixing holes have to be made. Caution: Provide a protective divider wall so that the whirlpool jets do not leak into the room. If the water pressure is higher than indicated, install pressure reducers. The overall dimension values are expressed in centimetres. The actual dimensions may vary by ± 3 mm. Provide shut-off cocks out of the dimensions of the product for hot and cold water closing.

TECHNICAL DATA:

MODELS	ELECTRICAL CHARACTERISTICS			HYDRAULIC CHARACTERISTICS			INGOMBRI				
	VOLT	VA	Hz	water consumption - max a 3 bar	operating pressure	connections	shipment			weight	
							length	width	height	net	gross
cod. 4ETB3N0: ETOILE BASE	--	--	--	20 L. min	bar 1,5 / 3,0	1/2 "	130 cm	33 cm	29 cm	19	21
cod. 4ETB4N0: ETOILE PLUS	12 VAC	20	50								

WARNING: In the event of non-compliance, even if only partial, of the safety conditions, then both the guarantee and the responsibility of the production for any direct or indirect damage caused by the product. The forfeiture of the guarantee, in the hypothesis indicated above, will have as a consequence the substitution of the only pieces that will be recognized as defective, without covering the costs derived from the labor necessary for the removal of the product.